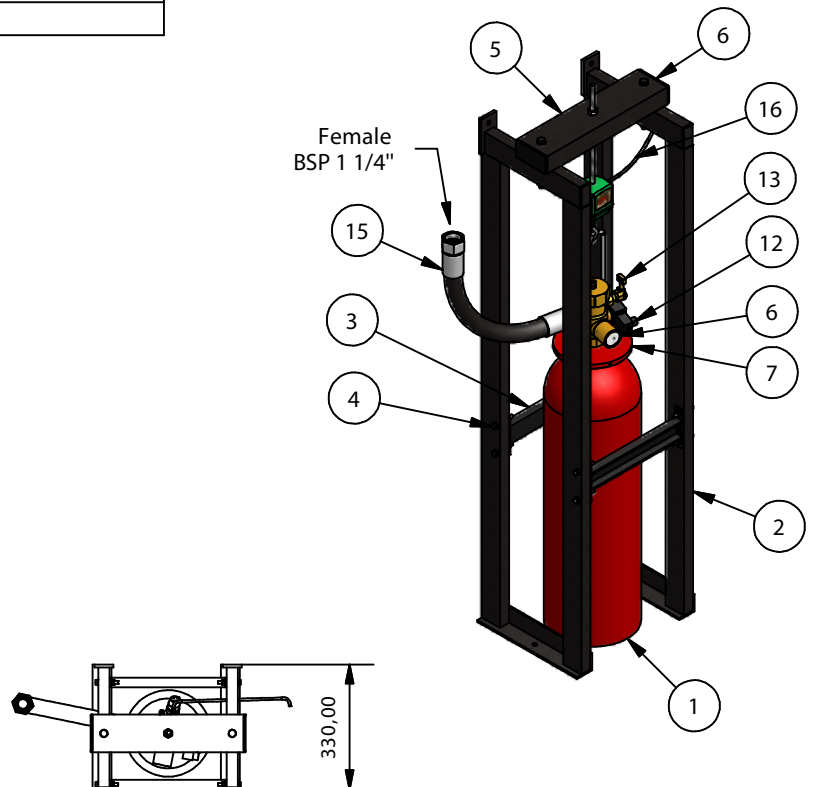
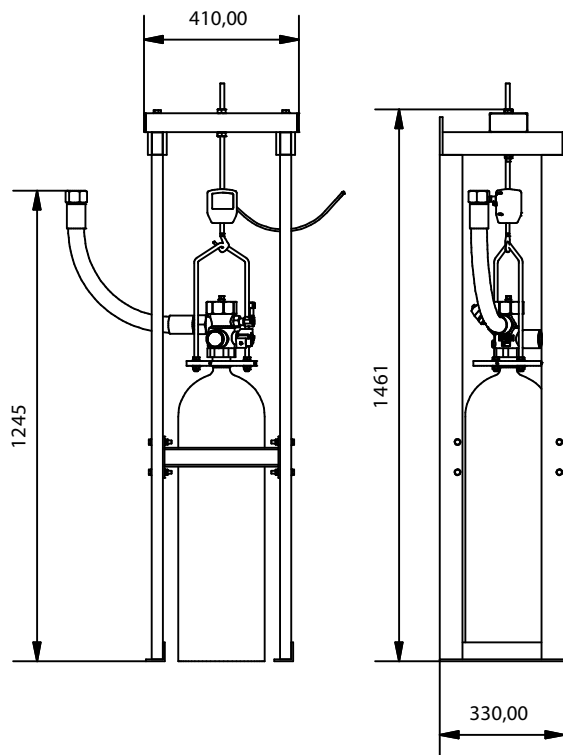
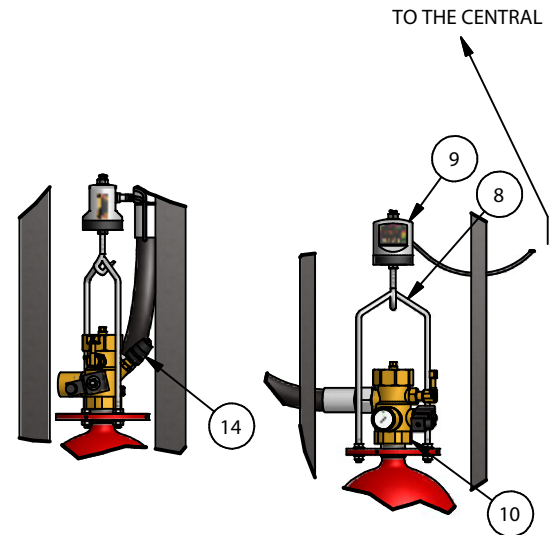




26,8L AUTONOMOUS CYLINDER HFC227ea WITH CONTINUOUS WEIGHING

AEX/SBP126FM

Parts List	
Part Number	Reference and Description
1	BFE26 - 26.8L cylinder
2	HP26 - Weighing cylinder foot
3	HTP1 - Crossbar for one cylinder
4	TO8M55 - Screws, nuts and washers M8
5	HS1 - 1 cylinder Battery support
6	TO10M125 - Screws, nuts and washers M10
7	BRR112-1 - Flange 1 1/2"
8	BPAS1 - Arch suspension continuous weighing cylinders
9	AEX/CPC3 - Continuous weighing control
10	AEX/VFM160S - HFC 160 Pilot Valve
11	AEX/M80 - Pressure gauge
12	AEX/VS24 - Solenoid valve
13	AEX/PM160A - Manual lever
14.1	AEX/PA - Pressure switch normally open with pressure (optional)
14.2	AEX/PC - Pressure switch normally closed with pressure (optional)
15	L114N - 1 1/4" hose BSP 600mm
16	AEX/LE - Microphone input hose



Specifications		
Capacity	Minimum load	Maximum load
26.8 L	12.9 Kg.	30.8 Kg.



Av. Alfonso Peña Boeuf, 6 y 9
28022 MADRID - ESPAÑA
TEL: +34 913121656
FAX: +34 913295820

DATA SHEET 26,8L AUTONOMOUS CYLINDER HFC227ea WITH CONTINUOUS WEIGHING

Description: Complete autonomous cylinder, equipped with hardware, solenoid, manual lever, pressure gauge, discharge hose and continuous weighing control system.

Token code:	Family tab:	Reference:	Drawn:	Date:	Reviewed:	Date:	Revisión:	Formato:
AEX-FTC-04-005	HFC 227ea	AEX/SBP126FM	DCM	13/12/2018	ENC	13/12/2018	1	A4